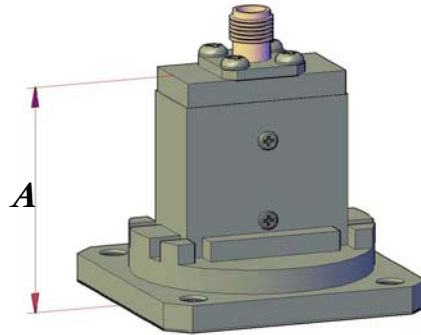




Space Machine & Engineering CORP.

Rectangular Waveguide To Coax End Launch Adapters



Model	WR #	Frequency (GHz)	A
WCA28EL	28	26.50 - 40.00	1.50
WCA34EL	34	22.00 - 33.00	1.75
WCA42EL	42	18.00 - 26.50	1.90
WCA51EL	51	15.00 - 22.00	2.00
WCA62EL	62	12.40 - 18.00	2.25
WCA75EL	75	10.00 - 15.00	2.50
WCA90EL	90	8.20 - 12.40	3.00
WCA102EL	102	7.00 - 11.00	3.50

Model	WR #	Frequency (GHz)	A
WCA112EL	112	7.05 - 10.00	4.00
WCA137EL	137	5.85 - 8.20	4.50
WCA159EL	159	4.90 - 7.05	5.00
WCA187EL	187	3.95 - 5.85	6.00
WCA229EL	229	3.30 - 4.90	7.25
WCA284EL	284	2.60 - 3.95	9.00
WCA340EL	340	2.20 - 3.30	11.00
WCA430EL	430	1.70 - 2.60	12.00

Space Machine offers a standard product line of end launch waveguide to coax adapters covering waveguide sizes WR28 thru WR430. VSWR is 1.35:1 max. Improved VSWR performance can be obtained over a reduced bandwidth.

Space Machine's End-Launch Adapters use a transition whose center conductor is structurally tied to the waveguide, for excellent mechanical and thermal stability. Additional sizes and configurations available upon request.

Ordering Information:

Waveguide To Coax End Launch Adapter, WR112, Bronze, Cover Flange, SMA Female Connector, Chromate, Paint Space Machine Gray.

Example part number:

<u>WCA</u>	<u>wr</u>	<u>EL</u>	<u>-m</u>	<u>f</u>	<u>cnt</u>	<u>-p</u>	<u>f</u>
WCA	112	EL	-B	01	SF	-C	P

Series (WCA):

Waveguide Size (wr): WR28 thru WR430

End Launch (EL)

Material (-m): A – Aluminum, B – Bronze, C - OFHC Copper, O – Other

Flange (f): See [Appendix G](#)

Connector (cnt): See [Appendix E](#)

Plating (-p): C – Chromate, S – Silver, G – Gold, O – Other, N – None

Finish (f): P – Paint Space Machine Gray, N – None, O – Other