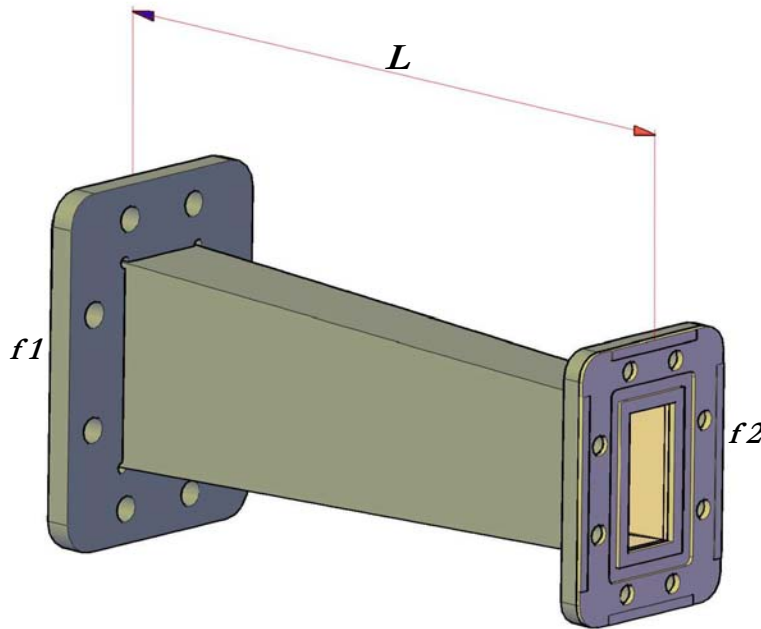


Rectangular To Rectangular Waveguide Transitions



Space Machine offers a standard product line of transitions covering waveguide sizes WR10 thru WR975. VSWR is 1.05 typical in the overlapping frequency bands. Additional sizes and configurations are available upon request.

Ordering Information:

Waveguide To Waveguide Transition, Example part number:
 WR137 CPRF Flange to WR112 CPRG Flange,
 Brass, 5.0" Long, Chromated,
 Paint Space Machine Gray.

<u>WWT</u>	<u>wr1</u>	<u>-f1</u>	<u>-wr2</u>	<u>-f2</u>	<u>m</u>	<u>l</u>	<u>-p</u>	<u>f</u>
WWT	137	-05	-112	-04	B	5.0	-C	P

Series (WWT):

Waveguide Size 1 (wr1): WR10 thru WR975

Flange 1 (-f1): See [Appendix G](#)

Waveguide Size 2 (-wr2): WR10 thru WR975

Flange 2 (-f2): See [Appendix G](#)

Material (m): A – Aluminum, B – Brass, C – OFHC Copper, O – Other

Length (l): (inches)

Plating (-p): C – Chromate, S – Silver, G – Gold, O – Other, N – None

Finish (f): P – Paint Space Machine Gray, N – None, O – Other