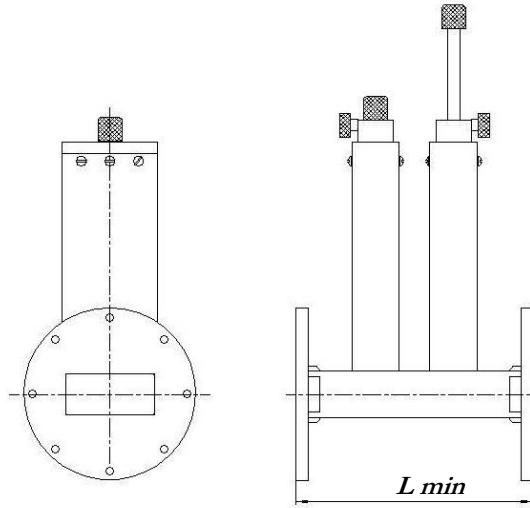
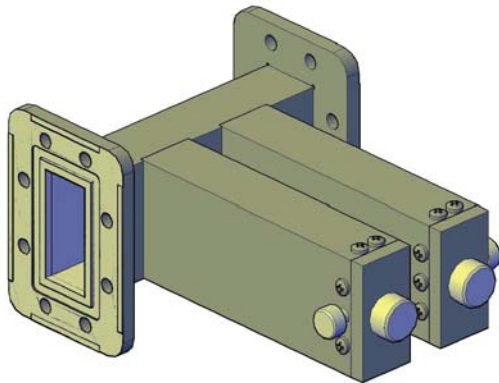


Rectangular Waveguide Dual Stub Tuner



Model	WR #	Frequency (GHz)	Stub Travel	L min
WST284	284	2.60 - 3.95	5.0	8.0
WST187	187	3.95 - 5.85	4.0	5.0
WST159	159	4.90 - 7.05	3.5	4.5
WST137	137	5.85 - 8.20	3.0	4.5
WST112	112	7.05 - 10.00	3.0	4.0
WST90	90	8.20 - 12.40	3.0	4.0

Model	WR #	Frequency (GHz)	Stub Travel	L min
WST75	75	10.00 - 15.00	2.0	3.0
WST62	62	12.40 - 18.00	2.0	3.0
WST51	51	15.00 - 22.00	2.0	2.5
WST42	42	18.00 - 26.50	1.75	2.0
WST34	34	22.00 - 33.00	1.5	2.0
WST28	28	26.50 - 40.00	1.5	1.5

Space Machine & Engineering offers a standard product line of dual stub tuner sizes WR28 thru WR284. Rectangular waveguide dual stub tuners allow precision matching within RF systems and subsystems to ensure optimum power transmission from source to load. VSWR is 1.15:1. Additional sizes and configurations are available upon request.

Ordering Information:

Rectangular Waveguide Dual Stub Tuner,
WR187, Aluminum, Cover Flanges
Chromated, Paint SME Grey.

Example part number:

WST	wr	-m	M	f1 f2	-p	f
WST	112	-A	M	01 01	-C	O

Series (WST):

Waveguide Size (wr): WR28 thru WR284

Material (-m): A – Aluminum, B – Bronze, O – Other

M: Manual

Flange (f1 f2): See [Appendix G](#)

Plating (-p): C – Chromate

Finish (f): Paint Space Machine Gray, N – None, O – Other