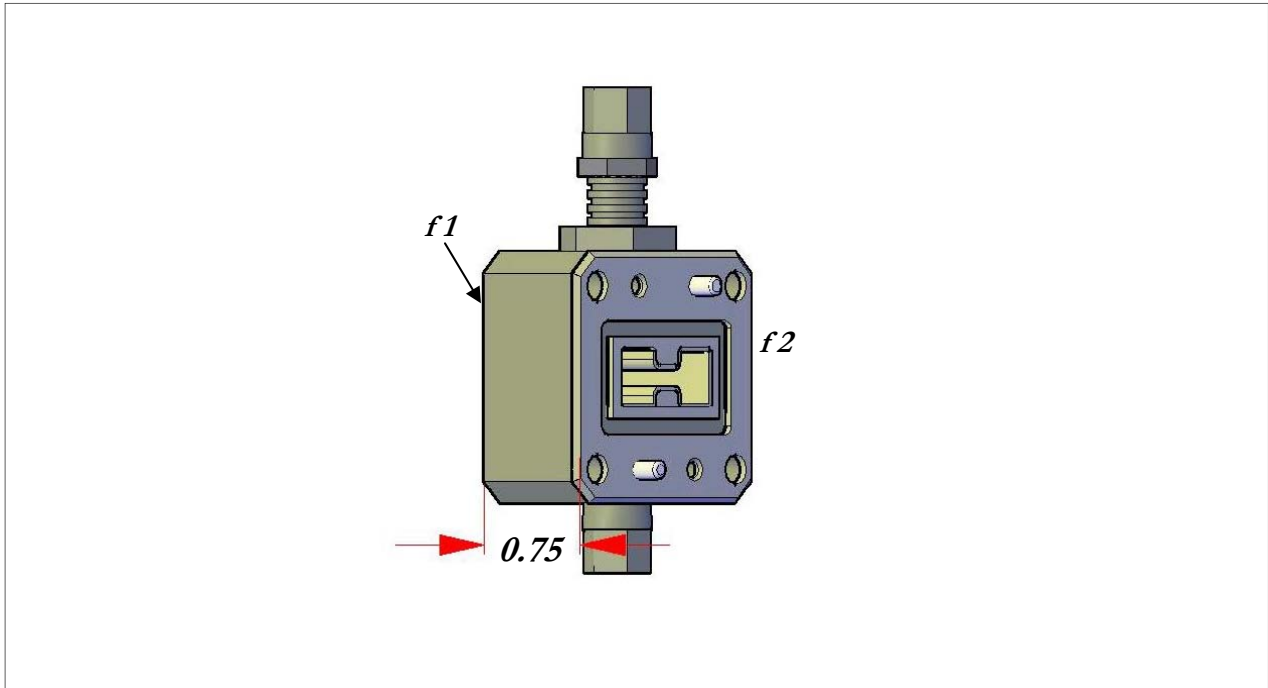


Double Ridge Waveguide Dual Fitting Pressure Flange



Space Machine offers a standard product line of double ridge dual fitting pressure flanges covering waveguide sizes WRD180 thru WRD200. VSWR is 1.15:1 over the full waveguide band. Double ridge waveguide dual fitting pressure flange standard thickness is 0.75". Custom thickness is also available upon request. Different types of pressure fittings available in standard SME pressure flange assembly, such as Schrader Valve, Flared Compression Fitting, Pipe Threads, or Barbed Fitting. Pressure inlet can be substituted with drain unit or pressure drain unit. See [appendix Q](#) for pressure fitting options. Additional sizes and configurations are available upon request.

Ordering Information:

Double Ridge Waveguide Dual Fitting Pressure Flange, WRD650, Aluminum, Cover Flange, Gasket Flange, with Schrader Valve, Chromate, Paint Space Machine Gray.

Example part number:

<u>DDPF</u>	<u>wrd</u>	<u>-m</u>	<u>f1 f2</u>	<u>v</u>	<u>-p</u>	<u>f</u>
DDPF	650	-A	01 02	SV	-C	P

Series (DDPF):

Waveguide Size (wrd): WRD180 thru WRD200

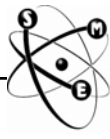
Material (m): A – Aluminum

Flanges (f1 f2): See [Appendix H](#)





Pressure Fitting (v): Schrader Valve-SV, Flared Compression Fitting-FF, Pipe Threads-PT, Barbed Fitting-BF

Plating (-p): C – Chromate, S – Silver, G – Gold, O – Other, N – None

Finish (f): P – Paint Space Machine Gray, N – None, O – Other



Double Ridge Waveguide Dual Fitting Pressure Flange

Pressure Fitting Options	
	<p>Schrader Valve</p> <p>This is one of the most popular pressure units. Schrader valves are durable and secure. They provide a convenient method of serving pressure systems or conducting leak-down pressure tests.</p>
	<p>Flared Compression Fitting</p> <p>Flared Compression Fitting offer a high degree of long-term reliability and can be assembled and disassembled repeatedly. They are manufactured especially for hard-to-hold liquids and gasses, and used for gas and high pressure lines in applications with copper, aluminum and other materials.</p>
	<p>Barbed Fitting</p> <p>A compact and economical barbed fittings offer a quality set up with no leaks, flow restrictions or costly downtime. Barb fittings fit into flexible tubing; the tubing relaxes behind the barb to create a seal that can generally contain pressure up to 30 psi.</p>
	<p>Pipe Threads Fitting</p> <p>Pipe Threads Fittings provide safe and secure fittings and connections. Due to the wedging effect of the tapered thread, extreme care must be used to avoid over-tightening the joint. The over-stressed female fitting may split days, weeks, or even years after initial installation.</p>