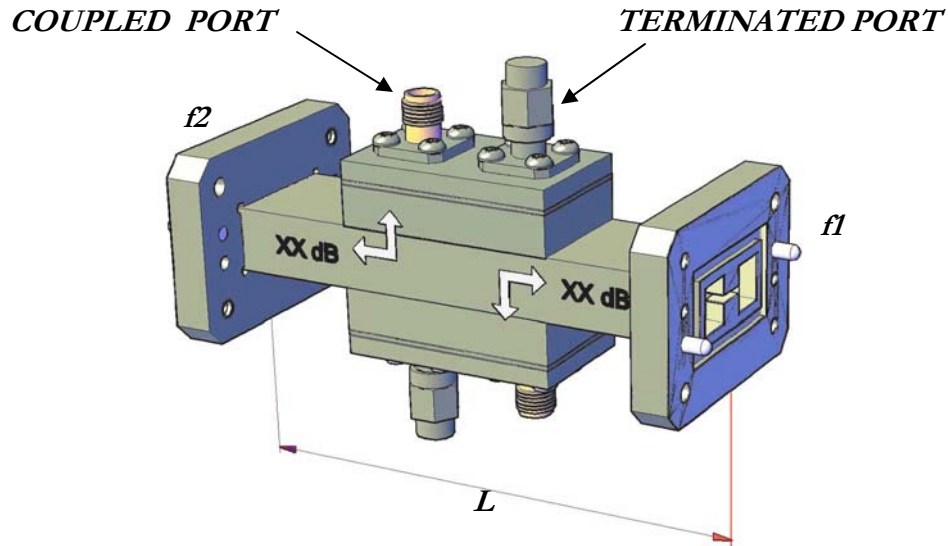


Double Ridge Waveguide Dual Loop Couplers



Model	WRD #	Frequency (GHz)	Length (L)	Model	WRD #	Frequency (GHz)	Length (L)
DLD750-	750	7.50 - 18.00	3.00	DLD475-	475	4.75 - 11.00	3.50
DLD650-	650	6.50 - 18.00	3.00	DLD350-	350	3.50 - 8.20	3.50
DLD580-	580	5.80 - 16.00	3.00	DLD250-	250	2.60 - 7.80	4.00
DLD500-	500	5.00 - 18.00	3.00	DLD200-	200	2.00 - 4.80	5.00

Space Machine custom fabricates a standard product line of double ridge dual loop couplers covering waveguide sizes WRD750 thru WRD200. These loop couplers are ideally suited for 25% bandwidths with coupling variation of ± 0.5 dB. Over the full waveguide band, coupling variation is ± 2.5 dB. Directivity is 15dB minimum. Main arm VSWR is 1.15:1 and secondary arm VSWR is 1.3:1.

Ordering Information:

Double Ridge Dual Loop Coupler, WRD500, Aluminum, 30dB and 50db Coupling, SMA Female Coupled Ports, Gasket Flanges, Chromated, Paint Space Machine Gray.

Example part number:

DLD wrd -m c1 c2 cnt -f1 f2 -p f
 DLD 500 -A 30 50 SF -02 02 -C P

Series (DLD):

Waveguide Size (wrd): WRD180 thru WRD200

Material (-m): A – Aluminum

Coupling (c1, c2): 30 - 50 dB

Connector Type (cnt): See [Appendix E](#)

Flange (-f1 f2): See [Appendix H](#)

Plating (-p): C – Chromate, S – Silver, G – Gold, O – Other, N – None

Finish (f): P – Paint Space Machine Gray, N – None, O – Other