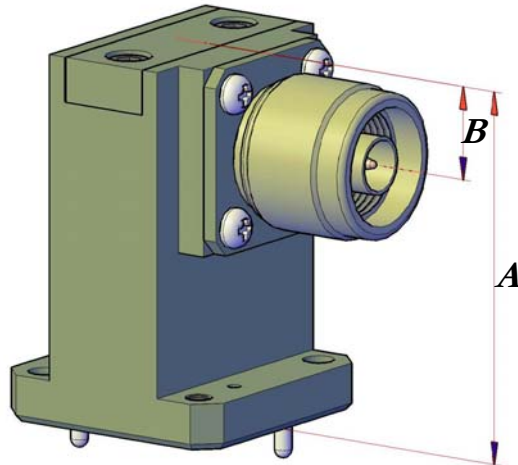


## Double Ridge Waveguide To Coax Adapters



Model	WRD #	Frequency (GHz)	A	B
DCA180-	180	18.00 - 40.00	1.00	0.50
DCA110-	110	11.00 - 26.50	1.00	0.50
DCA750-	750	7.50 - 18.00	2.00	0.50
DCA650-	650	6.50 - 18.00	2.00	0.50
DCA580-	580	5.80 - 16.00	2.00	0.75

Model	WRD #	Frequency (GHz)	A	B
DCA500-	500	5.00 - 18.00	2.00	0.75
DCA475-	475	4.75 - 11.00	2.50	1.00
DCA350-	350	3.50 - 8.20	2.50	1.00
DCA250-	250	2.60 - 7.80	2.75	1.25
DCA200-	200	2.00 - 4.80	3.00	1.10

Space Machine custom fabricates a standard product line of double ridge waveguide to coax adapters covering waveguide sizes WRD180 thru WRD200. VSWR is 1.35:1 typical. Additional sizes and configurations available upon request.

### Ordering Information:

Double Ridge Waveguide To Coax Adapter, WRD180, Aluminum, Cover Flange, TNC Female Connector, Chromated, Paint Space Machine Gray.

Example part number:

**DCA wrd -m f cnt -p f**  
DCA 180 -A 01 TF -C P

Series (DCA):

Waveguide Size (wrd): WRD180 thru WRD200

Material (-m): A – Aluminum

Flange (f): See [Appendix H](#)

Connector (cnt): See [Appendix E](#)

Plating (-p): C – Chromate, S – Silver, G – Gold, O – Other, N – None

Finish (f): P – Paint Space Machine Gray, N – None, O – Other