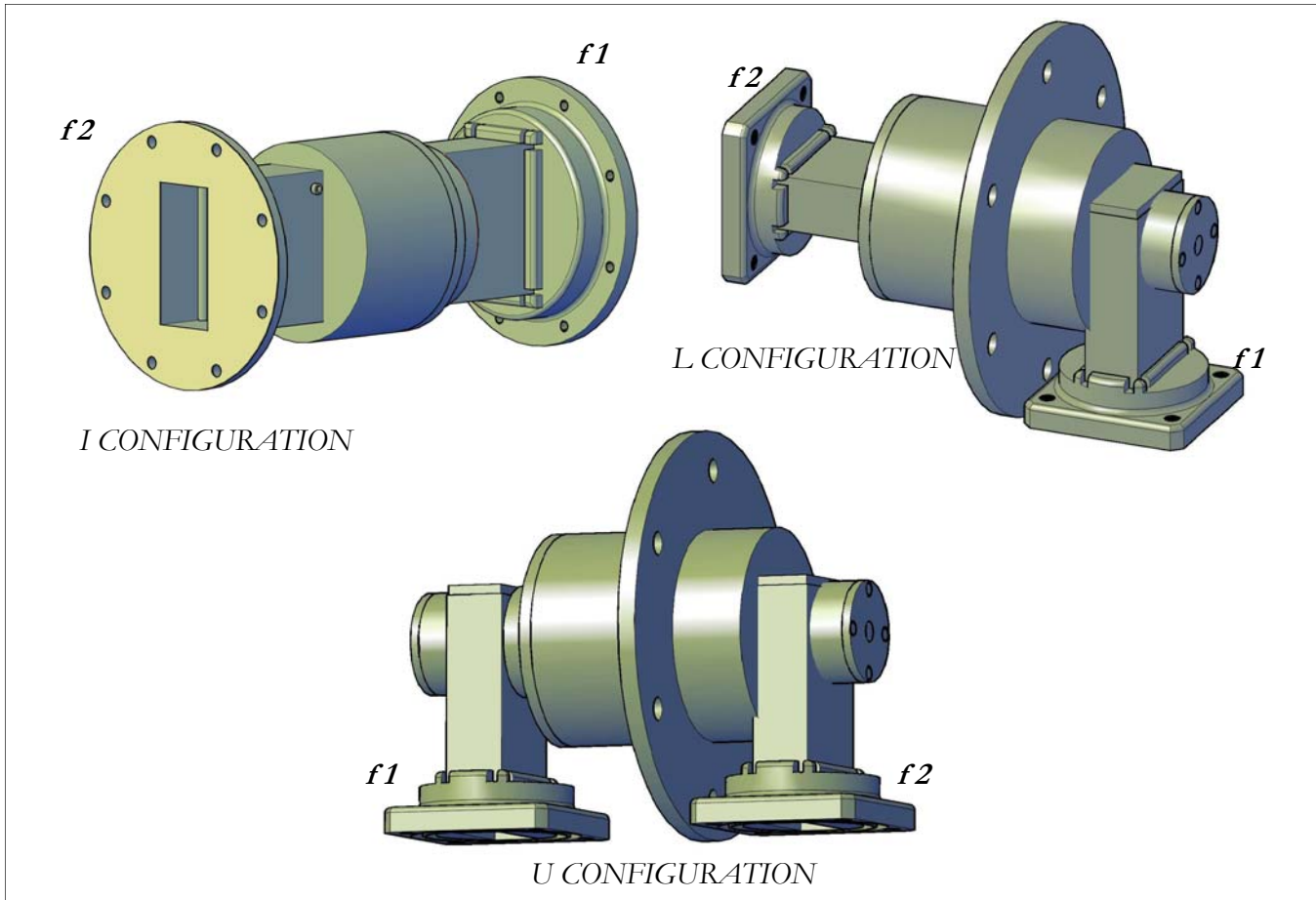


Single Channel Rectangular Waveguide Rotary Joints



Space Machine offers a standard product line of single channel waveguide rotary joints covering waveguide sizes WR28 thru WR430. Additional sizes and configurations are available upon request. VSWR is 1.15:1 and insertion loss is 0.15 dB typical over 25% of the waveguide band. Please specify pressure, power handling, frequency and dimensional requirements when ordering.

Ordering Information:

**Waveguide Rotary Joint, WR112,
Bronze, Cover / Choke Flanges, Configuration I,
Chromated, Paint Space Machine Gray.**

Example part number:

<u>WRJ</u>	<u>wr</u>	<u>-m</u>	<u>f1 f2</u>	<u>con</u>	<u>-p</u>	<u>f</u>
WRJ	112	-B	01 02	I	-C	P

Series (WRJ):

Waveguide Size (wr): WR28 thru WR430

Flange Material (-m): A – Aluminum, B – Bronze, O – Other

Flange (f1 f2): See [Appendix G](#)

Configuration (con): I, L, U

Plating (-p): C – Chromate, S – Silver, G – Gold, O – Other, N – None

Finish (f): P – Paint Space Machine Gray, N – None, O – Other